

INSTALLATION INSTRUCTIONS FOR PLENUM ADAPTER ACCESSORY FOR CASED INDOOR COOLING/HEAT PUMP COILS

This Plenum Adapter Accessory is for installation in cased indoor cooling and heat pump coils. This allows a nominal size cased coil to be installed on the next smaller size gas or oil furnace. Example: The RXBA-AC installed in the 17.5" wide casing will allow a 2.5/3.0 ton cased coil to be installed on a 14" wide gas or oil furnace. **This accessory is for installation in cased coils to fit gas and oil furnaces only - this accessory must not be used on electric furnaces or heat pump air handlers.**

APPLICATIONS

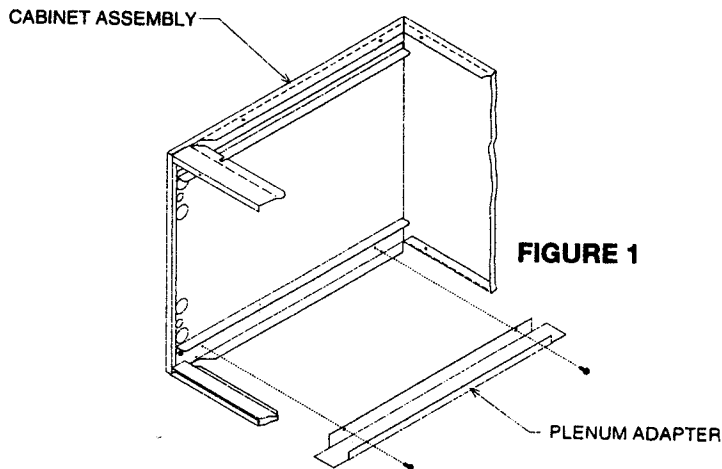
<u>ACCESSORY</u>	<u>COIL MODEL</u>	<u>CASED COIL WIDTH</u>	<u>FURNACE WIDTH</u>
RXBA-AC (Upflow)	RC*A-36**A*17	17.5"	14"
	RC*A-48**A*21	21"	17.5"
	RC*A-60**A*24	24.5"	21"
RXBA-AD (Downflow)	RC*A-36**A*17	17.5"	14"
	RC*A-48**A*21	21"	17.5"
	RC*A-60**A*24	24.5"	21"

PARTS LIST

<u>ITEM NO.</u>	<u>DESCRIPTION</u>	<u>PART NUMBER</u>	<u>QUANTITY</u>	
			<u>RXBA-AC</u>	<u>RXBA-AD</u>
1	PLENUM ADAPTER (UPFLOW)	AE-58341-01	2	
2	PLENUM ADAPTER (DOWNFLOW)	AE-58341-02		2
3	SCREW - 1/4"	63-22153-05	4	4

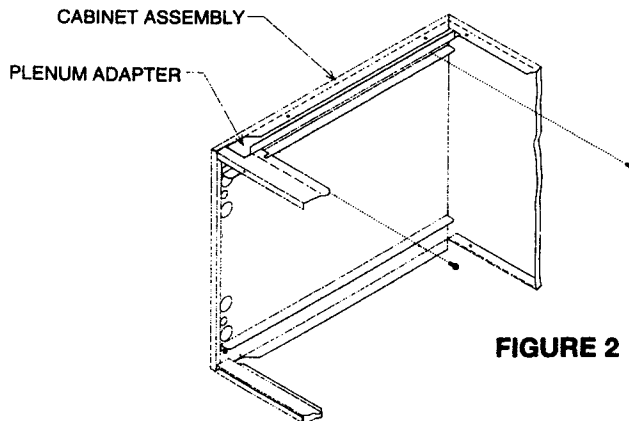
INSTALLATION PROCEDURE (RXBA-AC) UPFLOW

- Using duct pliers, bend front and back bottom flanges of cabinet up. See Figure 1.
- Install plenum adapter as shown in Figure 1 on the left side of casing using two 1/4" screws.
- Repeat procedure for right side of casing.



INSTALLATION PROCEDURE (RXBA-AD) DOWNFLOW

- Install plenum adapter as shown in Figure 2 on the left side of casing using two 1/4" screws. Note that the front and back flanges of the adapter fit on top of the front and back flanges of the casing.
- Repeat procedure for right side of casing.



Consult the Installation and Operating Instructions of the Indoor Coil for proper installation and operating information.